

# Service Manual

## AUTOMOTIVE ELECTRONICS



### AUDI CQ-LA1923L

AM/FM/RDS RADIO with Stereo  
Cassette Tape Player / CD Changer  
Control

AUDI PART No. : 8L0 035 186A

VEHICLE : AUDI A3

DESTINATION : Europe

PRODUCED AFTER : Dec., 1999

### Specifications\*

#### General

Power Supply DC 12V DC Negative ground  
Test Voltage 13.2V

Current Consumption Less than 3.0A (at 0.5W)

Maximum Power Output 12W×12W

#### AM Radio

Frequency Range 531-1,602kHz

Usable Sensitivity 23dB/μV (S/N 20dB)

Seek Sensitivity 40dB/μV

#### FM Stereo Radio

Frequency Range 87.5-108.0MHz

Usable Sensitivity 8dB/μV (S/N 30dB)

Seek Sensitivity 25dB/μV

#### Tape Player

Reproduction System 4-Track,2-Program Stereo

Tape Speed 4.76cm/sec


Dimensions\*\* (W×H×D) 184×51.5×160mm

Weight\*\* 1.6kg

\* Specifications and the design are subject to possible modification without notice due to improvements.

\*\* Dimensions and Weight shown are approximate.


Dolby noise reduction manufactured under license from Dolby Laboratories Licensing Corporation.

"Dolby" and the double-D symbol  are trade marks of Dolby Laboratories Licensing Corporation.

### WARNING

This service information is designed for experienced repair technicians only and is not designed for use by the general public. It does not contain warnings or cautions to advise non-technical individuals of potential dangers in attempting to service a product. Products powered by electricity should be serviced or repaired only by experienced professional technicians. Any attempt to service or repair the product or products dealt with in this service information by anyone else could result in serious injury or death.

### IMPORTANT SAFETY NOTICE

There are special components used in this equipment which are important for safety. These parts are marked by  in the Schematic Diagrams, Circuit Board Diagrams, Exploded Views and Replacement Parts List. It is essential that these critical parts should be replaced with manufacturer's specified parts to prevent shock, fire or other hazards. Do not modify the original design without permission of manufacturer.

# Panasonic

© 2001 Matsushita Communication Industrial Co., Ltd. All rights reserved. Unauthorized copying and distribution is a violation of law.

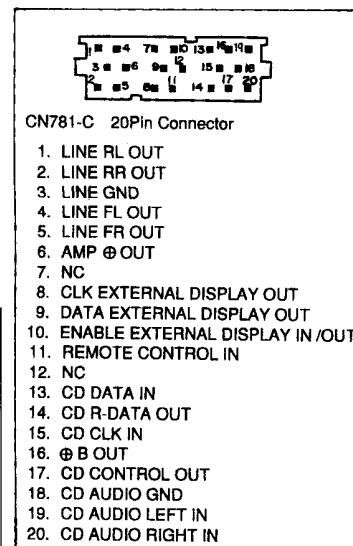
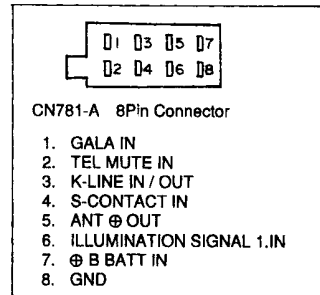
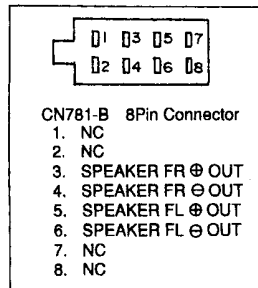
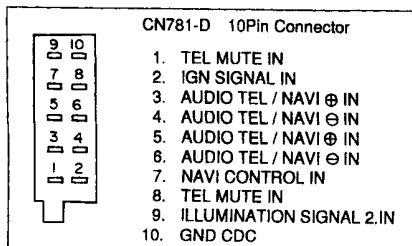
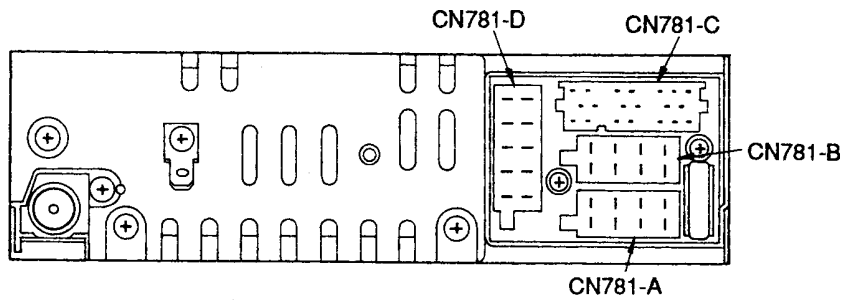
# CONTENTS

	Page		Page
1 FEATURES .....	2	8 ALIGNMENT INSTRUCTIONS .....	11
2 REAR VIEW AND CONNECTORS .....	2	9 ALIGNMENT POINTS .....	11
3 FRONT VIEW AND FUNCTIONS .....	3	10 REPLACEMENT PARTS LIST .....	12
4 WIRING CONNECTION .....	3	11 EXPLODED VIEW (Unit) .....	19
5 BLOCK DIAGRAM .....	4	12 WIRING DIAGRAM .....	20
6 TERMINALS DESCRIPTION .....	6	13 SCHEMATIC DIAGRAM -1 .....	25
7 PACKAGE AND IC BLOCK DIAGRAM .....	8	14 SCHEMATIC DIAGRAM -2 .....	27

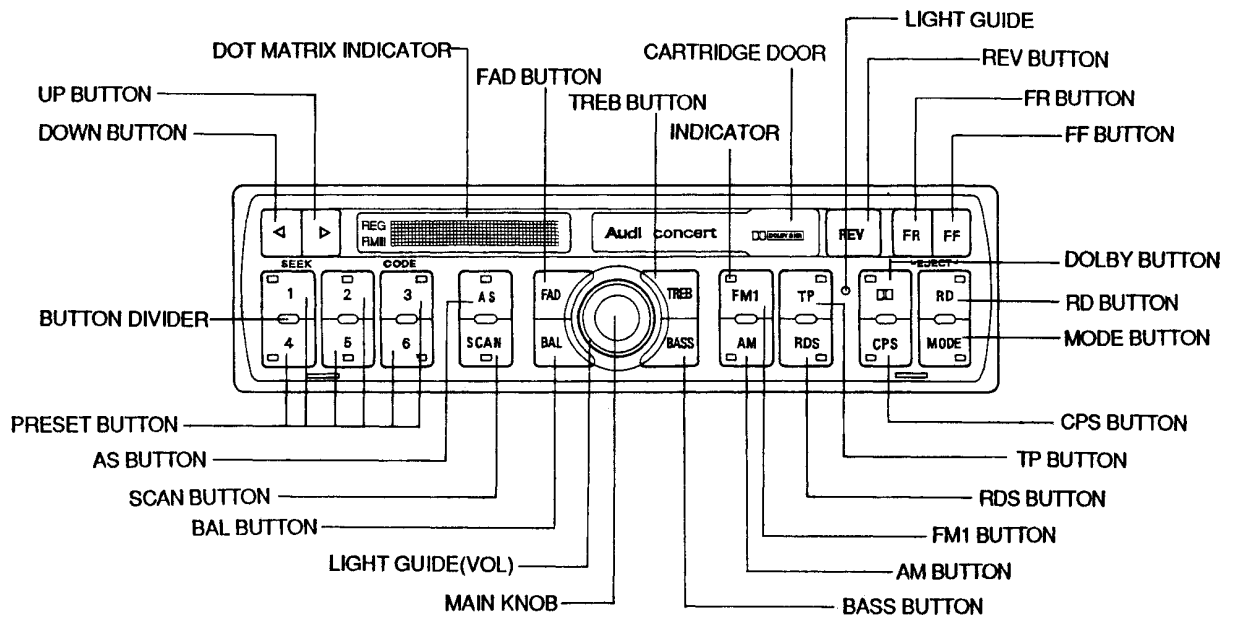
## 1 FEATURES

- Negative Displayed LCD (8-figures, 5x7 dots)
- Traffic Information Memory
- SEEK Up/Down, SCAN Up function
- CD Changer Control function
- Dolby B Noise Reduction
- Steering Remoto Control
- Untitheft System
- GALA System (Auto Volume Control for a car noise)
- Untitheft System (Code Number Memory)
- 3-Illumination Control Systems (Photo-sensor, Illumination Control-1, Illumination Control-2)
- Illumination Color: Audi Red

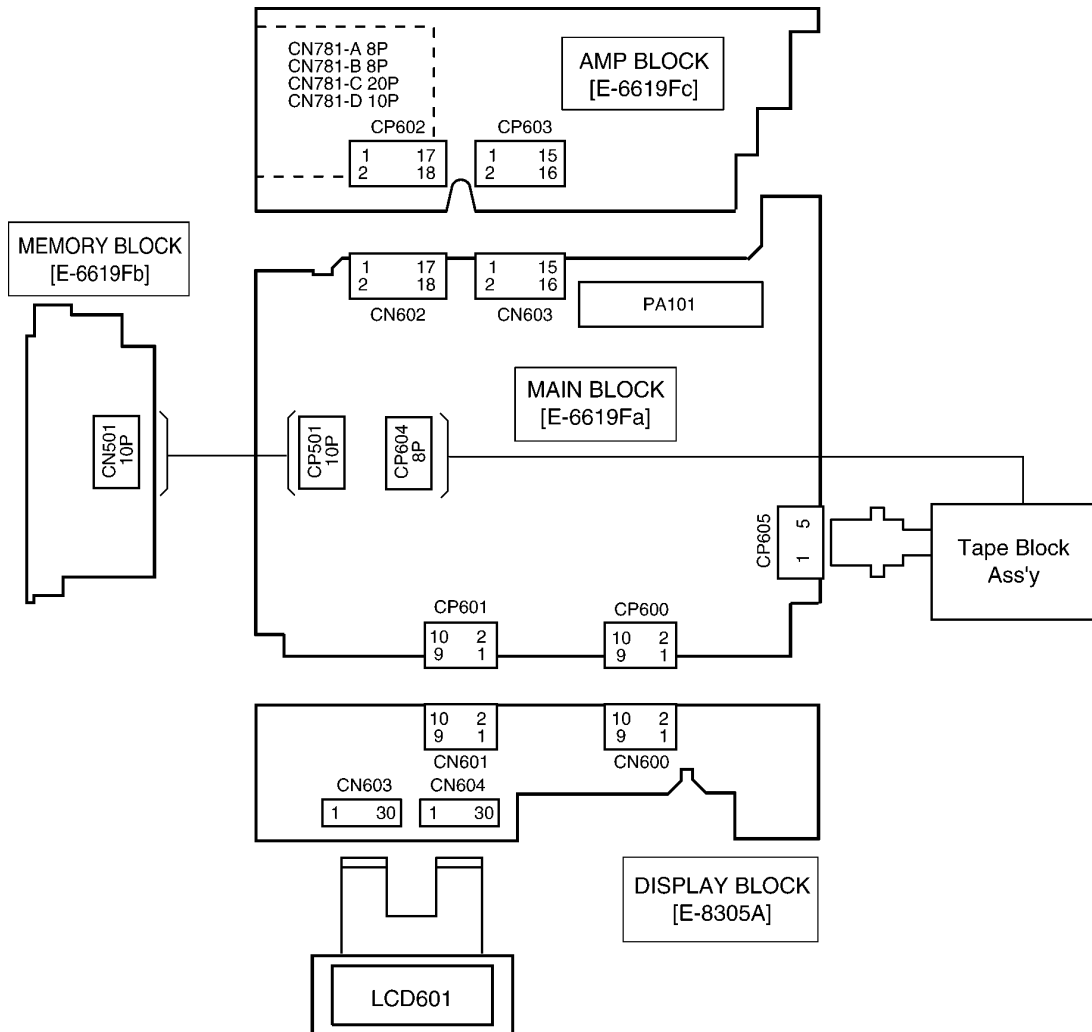
## 2 REAR VIEW AND CONNECTORS



### 3 FRONT VIEW AND FUNCTIONS

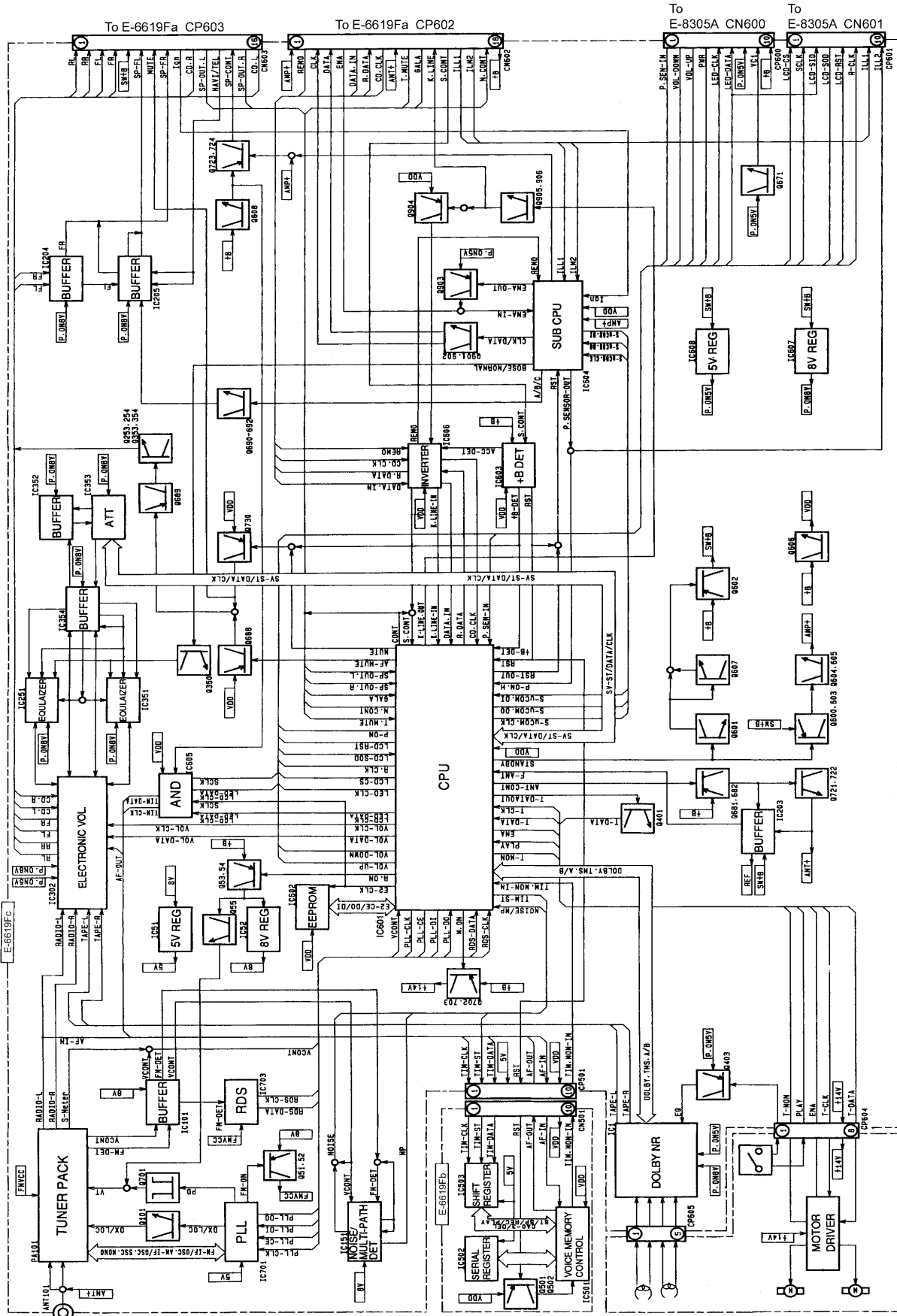


### 4 WIRING CONNECTION

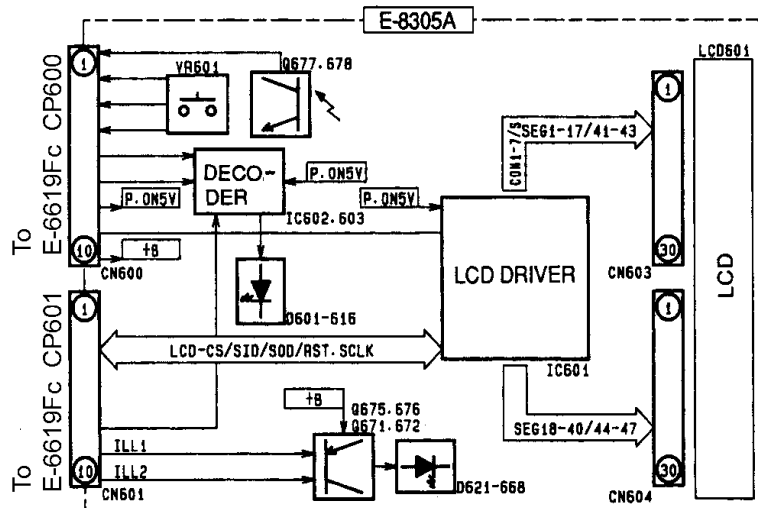
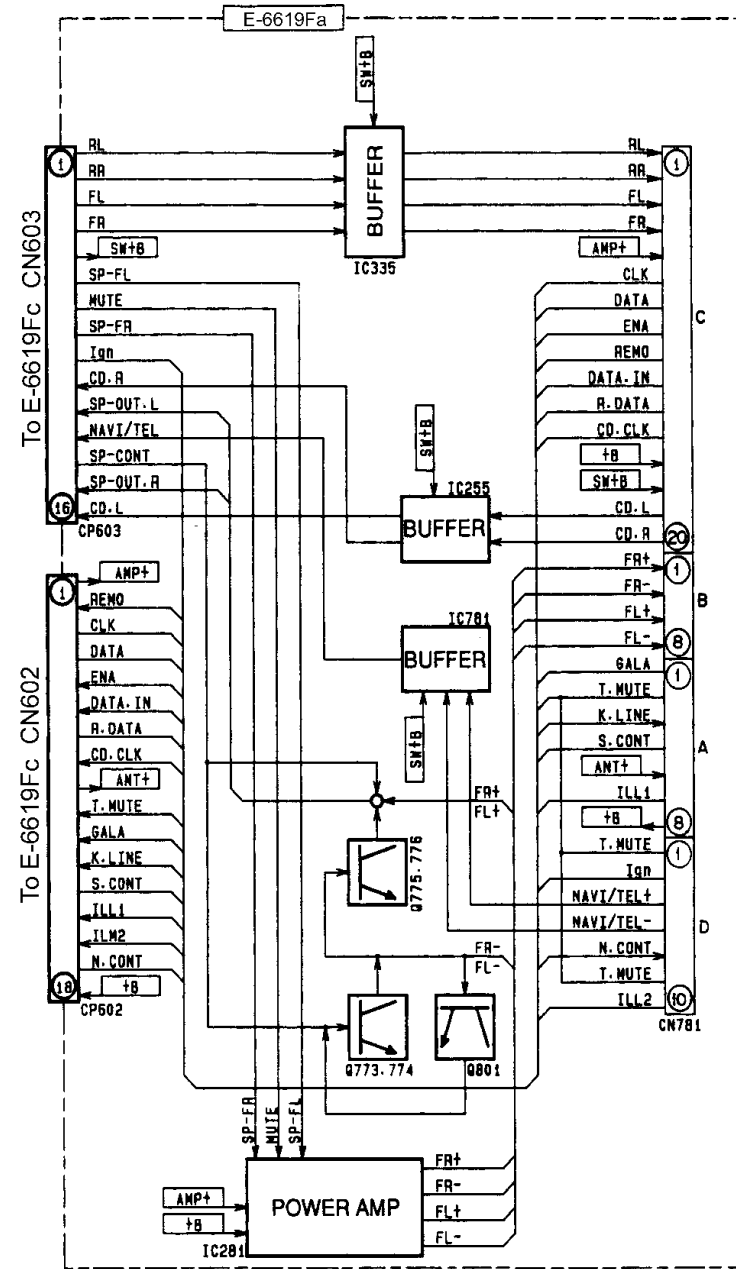


# 5 BLOCK DIAGRAM

## 5.1. Main Block



## 5.2. AMP/Display Block



## 6 TERMINALS DESCRIPTION

### 6.1. MAIN BLOCK

IC601 C2BBGG000014						
Pin No.	Name	Description	I/O	VoIT (V)		
				FM	AM	Tap e
1	RES	Reset Input	I	4.9	4.9	4.9
2	XTAL	X-tal	I	1.6	1.6	1.6
3	EXTAL	X-tal	I	2.3	2.3	2.3
4	MD1	Connect to Vdd		4.9	4.9	4.9
5	MD0	Connect to Vdd		4.9	4.9	4.9
6	NMI	Connect to Vdd		4.9	4.9	4.9
7	STBY	Connect to Vdd		4.9	4.9	4.9
8	VDD	Power Supply (+5V)		4.9	4.9	4.9
9	CD-CLK	Clock Input (from CD Changer)	I	0	0	0
10	CD-DATA	Data Input (from CD Changer)	I	0	0	0
11	CD-REMO	Data Output (to CD Changer)	O	4.9	4.9	4.9
12	GND	Connect to Ground		0	0	0
13	ANT-CONT	F. Antenna Votage Contorol	O	4.6	4.6	4.6
14	TIM MON IN	TIM Memory status Input		0	0	0
15	S CONT ON/OFF	S. CONT status monitor	I	0	0	0
16	T MUTE ON/OFF	T. MUTE status monitor	I	4.9	4.9	4.9
17	N CONT ON/OFF	NAVI. MUTE status monitor	I	4.9	4.9	4.9
18	BATT DET	Low Votage detect	I	4.9	4.9	4.9
19	CONT	S.Cont T.Mute N.Cont Signals Detect	I	4.9	4.9	4.9
20	P-ON	POWER Switch ON/OFF detect	I	0	0	0
21	LED CLK	clock Output (to LED)	O	0	0	0
22	LED DATA/LCD SID	Data Output (to LED TIM LCD)	I	4.9	4.9	4.9
23	VOL UP	Volume Up Signal Input	I	0	0	0
24	VOL DOWN	Volume Down Signal Input	I	4.9	4.9	4.9
25	LCD SCLK/E2 CLK	Clock Output (to LCD E2 TIM)	O	4.9	4.9	4.9
26	LCD CS	LCD Chip Select	O	4.9	4.9	0
27	R CLK	R. Clock Output	O	4.9	4.9	4.9
28	RDS CLK	Clock Input (for RDS)	I	2.5	0	2.5
29	VDD	Power Supply (+5V)		4.9	4.9	4.9
30	V CONT	Signal Strength level Input	I	0.4	0.4	0.4
31	MP	Multi-path Signal Input	I	0	0	0
32	NOISE	Noise level Signal Input	I	1.3	0	1.3
33	P SENSOR IN	Photo Sensor Signal Input	I	0	0	0
34	+B MONITOR	+B Voltage Monitor	I	3.4	3.4	3.4
35	SP-OUT R	SP Output Input (for Self Check function)	I	2.9	2.9	2.9
36	F-ANT	ANT+ Shor detect (for Self Check function)	I	1.5	1.5	1.5
37	SP-OUT L	SP Output Input (for Self Check function)	I	2.9	2.9	2.9
38	GND	Connect to Ground		0	0	0
39	RDS DATA	Data Input (for RDS)	I	2.5	0	2.5
40	LCD SOD	Data Input (from LCD)	I	4.9	4.9	4.9
41	LCD RESET	Reset Output (to LCD)	O	4.9	4.9	4.9
42	STANDBY	Power Control Output (for Audio Circuit)	O	4.9	4.9	4.9
43	RADIO ON	RADIO ANT VAR ON Signal Output	O	4.6	4.6	4.6
44	TIM ST	Strobe Signal for TIM	O	0	0	0

Pin No.	Name	Description	I/O	VoIT (V)		
				FM	AM	Tap e
45	P-ON H	LCD INDICATOR Illumination ON Signal	O	4.9	4.9	4.9
46	WARNING TONE(NC)					
47	VDD	Power Supply (+5V)		4.9	4.9	4.9
48	E2 DI	Data Output (to EEPROM)	O	0	0	0
49	E2 CE	Chip Enable Output (to EEPROM)	O	0	0	0
50	GALA	GALA Signal Input	I	0	0	0
51	AF MUTE	Audio Mute Signal Output	O	4.9	4.9	4.9
52	MUTE	Mute Signal Output (for Audio Power Amp.)	O	4.9	4.9	4.9
53	E2 DO	Data Input (from EEPROM)	I	0	0	0
54	E-VOL DATA	Data Output (to Main Volume Control)	O	0	0	0
55	E-VOL CLK	Clock Output (to Main Volume Control)	O	0	0	0
56	GND	Connect to Ground		0	0	0
57	PLL DI	Data Output (to PLL)	O	0	0	0
58	PLL DO	Data Input (from PLL)	I	4.9	4.9	4.9
59	PLL CLK	Clock Output (to PLL)	O	0	0	0
60	PLL CE	Chip Enable Output (to PLL)	O	0	0	0
61	M ON	Tape Deck Powr ON control Output	O	4.9	4.9	4.9
62	TMS	Tape Music Sensor Signal Input	I	0	0	0
63	A/B OUT	Tape Play Side (A/B) Select Signal Output	O	0	0	4.9
64	DOLBY	Doby ON/OFF Signal Output	O	0	0	4.9
65	PLAY SW	Play SW Signal Input (from Tape Deck)	I	0	0	0
66	DATA OUT	Data Output (to Tape Deck)	O	0	0	0
67	T MONITOR	Thermal Sensor Input (from Tape Deck)	I	4.9	4.9	4.9
68	DATA IN	Data Input (from Tape Deck)	I	4.9	4.9	4.9
69	T ENA	Tape Deck Enable	O	4.9	4.9	4.9
70	SV ST	Strobe Output (to Sub Volume Conttol)	O	0	0	0
71	SV CLK	Clock Output (to Sub Volume Conttol)	O	0	0	0
72	SV DATA	Data Output (to Sub Volume Conttol)	O	0	0	0
73	GND	Connect to Ground		0	0	0
74	S-uCOM CLK	Clock Output (to Sub CPU)	O	4.9	4.9	4.9
75	S-uCOM DATA OUT	data Output (to Sub CPU)	O	4.9	2.5	1.7
76	S-uCOM DATA IN	Data Input (form Sub CPU)	I	4.9	2	2
77	ESET OUT	Reset Output (to Sub CPU)	O	4.9	4.9	4.9
78	K-LINE OUT	Serial Data Output (to Car System)	O	4.9	4.9	4.9
79	K-LINE IN	Serial Data Input (from Car System)	I	4.9	4.9	4.9
80	CLK I/O	Clock In/Out (for Tape Deck)	I/O	4.9	4.9	4.9

IC604 C2ABDD000033

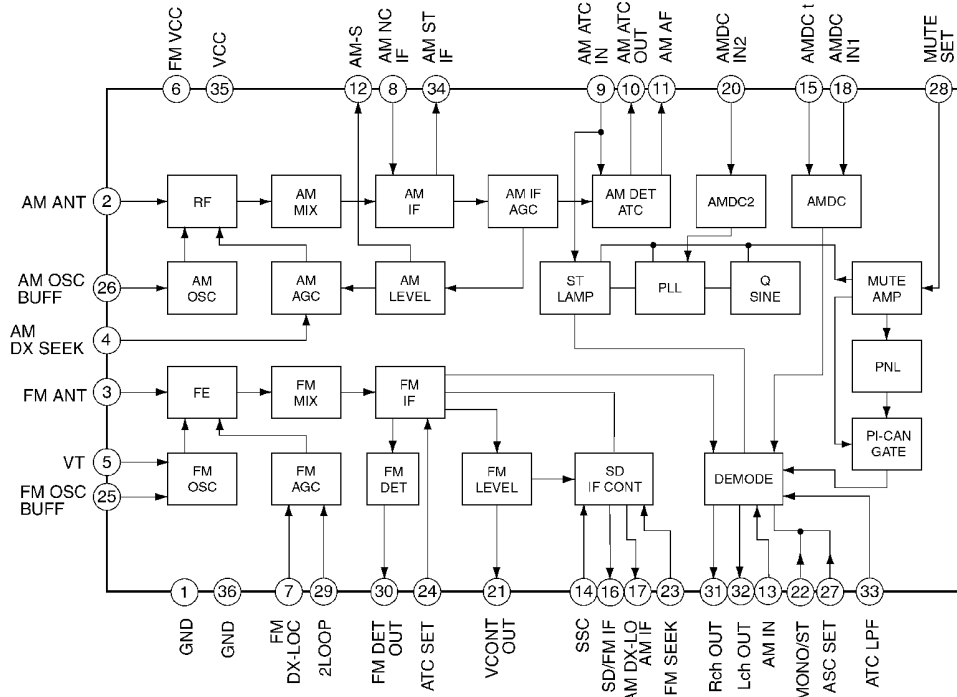
Pin No.	Name	Description	I / O	Vol. (V)
1	(NC)			
2	(NC)			
3	P. SENSOR OUT	Photo Sensor ILL Output	O	4.9
4	2ND DISP ENA IN	Enable Input (from 2nd Display)	I	0
5	2ND DISP ENA OUT	Enable Output (to 2nd Display)	O	4.9
6	2ND DISP CLK	Clock Output (to 2nd Display)	O	0
7	2ND DISP DATA	Data Output (to 2nd Display)	O	0
8-16	(NC)			
17	VSS	Ground		0
18	XT1	Connect to Ground		0
19	(NC)			
20	RESET	Reset Input	I	4.7
21	XTAL (X1)	Connect to X-tal	I	2.3
22	XTAL (X2)	Connect to X-tal	I	2.5
23	S-REMCON	Steering Remoto Control Input	I	0
24	ILL 1	ILL1 (Button) Self Check Input	I	4.9
25	ILL 2	ILL2 (LCD Indicator) Input	I	0
26	AMP+	Self Check (AMP+)	O	4.5
27	SP-OUT CONT	SP Self Check Control Output	O	0
28	(NC)			
29	S-uCOM DATA OUT	Data Input (from Main CPU)	I	2.7
30	S-uCOM DATA IN	Data Output (to Main CPU)	O	2.0
31	S-uCOM CLK	Clock Input (from Main CPU)	I	4.9
32	INT4	Connect to Ground		0
33	TI0	Connect to Ground		0
34	(NC)			
35	INT2	Connect to Ground		0
36	INT1	Ground		0
37	Ign.	Ign. Signal Input	I	0
38	(NC)			
39	VDD	Power Supply		4.9
40	C	NAVI/TEL Mix Control (C)	O	0
41	B	NAVI/TEL Mix Control (B)	O	4.9
42	A	NAVI/TEL Mix Control (A)	O	4.9
43	BOSE/NORMAL	BOSE/NORMAL Select Output	O	4.9
44	(NC)			

## 6.2. DISPLAY BLOCK

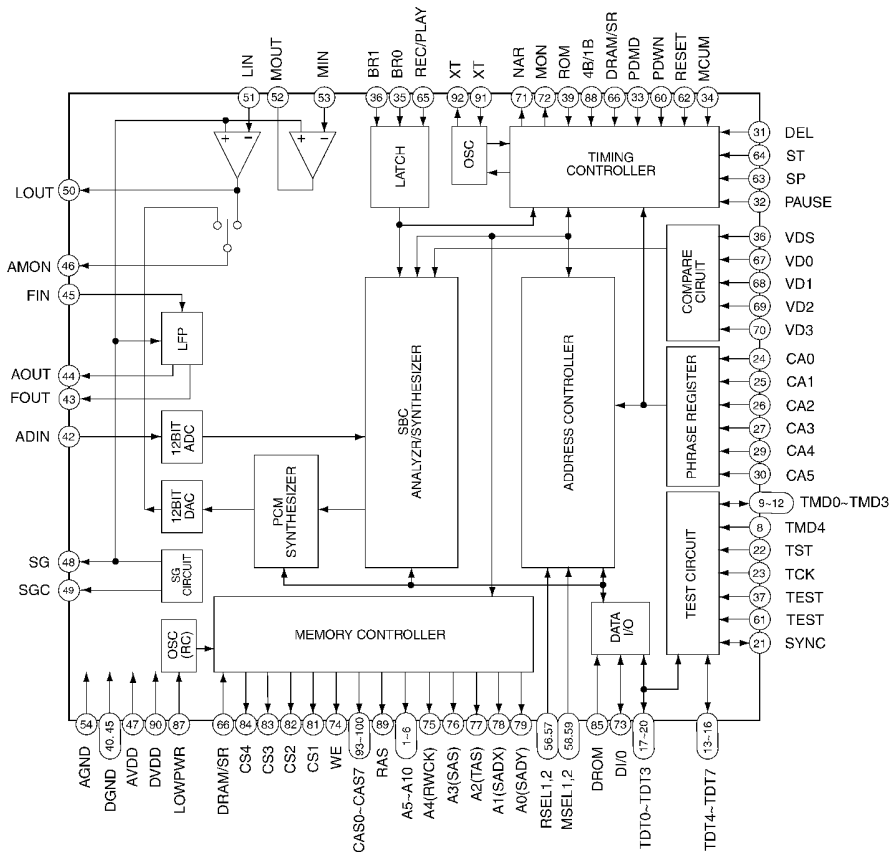
IC601 YEAMH66720F2

Pin No.	Name	Description	I / O	Vol. (V)
1-24	SEG 24-S47	Segment Signal output	O	1.0
25	SEG48 (NC)			
26	SEG49 (NC)			
27	SEG50 (NC)			
28-34	COM1-7	Common Signal output	O	1.0
35	COM8 (NC)			
36	COMS	Common Signal output (for Icon Segment)	O	1.0
37	V1	Connect to Power Supply (for LCD Drive)		2.9
38	V2	Connect to Power Supply (for LCD Drive)		1.0
39	V3	Connect to Power Supply (for LCD Drive)		1.0
40	V4	Connect to Power Supply (for LCD Drive)		0
41	V5	Connect to Power Supply (for LCD Drive)		0
42	V5OUT3 (NC)			
43	V5OUT2	Stepup Voltage output (Vci x 2)	O	0
44	GND	Connect to ground		0
45	C1	Connect to Capacitor (for Voltage Stepup)		0
46	C2	Connect to Capacitor (for Voltage Stepup)		0.8
47	Vci	Input Voltage for Voltage Stepup Circuit	I	3.1
48	VCC	Connect to Power Supply		4.8
49	OSC1	Oscillator output	I	2.4
50	OSC2	Oscillator Input	O	2.5
51	CL1 (NC)			
52	CL2 (NC)			
53	D (NC)			
54	M (NC)			
55	CS	Chip Select Input	I	4.7
56	SCLK	Serial Clock Input	I	4.7
57	SID	Serial Data Input	I	0
58	SOD	Serial Data Output	O	4.7
59	NL	Display Line Select Input		0
60	RESET	Reset Signal Input	I	4.7
61	TEST2	Test Terminal 1		0
62	TEST1	Test Terminal 3		0
63	GND	Connect to ground		0
64	LED0 (NC)			
65	LED1 (NC)			
66	IRQ (NC)			
67-71	KST0-4	Key Matrix Output	O	3.9
72	KST5 (NC)			
73-75	KIN0-2	Key Matrix Input	I	4.6
76-77	KIN3-4	Key Matrix Input	I	4.7
78-100	SEG1-23	Segment Signal output11	O	1.0

# 7 PACKAGE AND IC BLOCK DIAGRAM

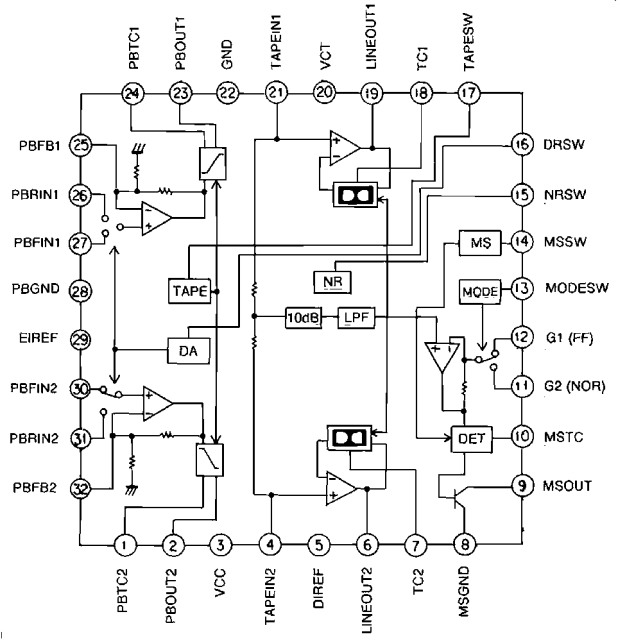


PA101 : YEP0PTA513B0

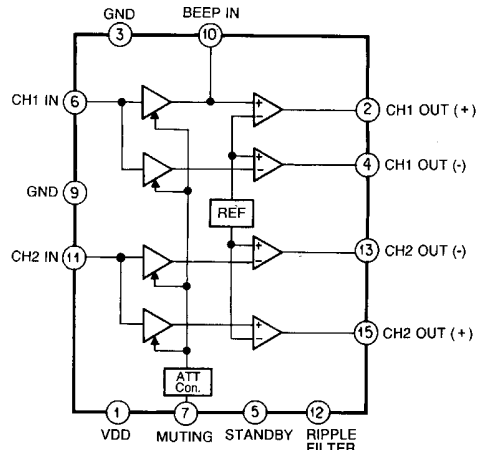


IC501 : YEAMS6789A

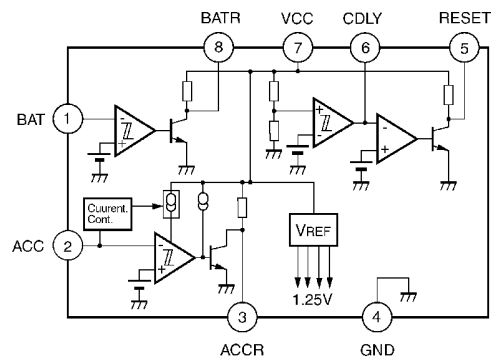




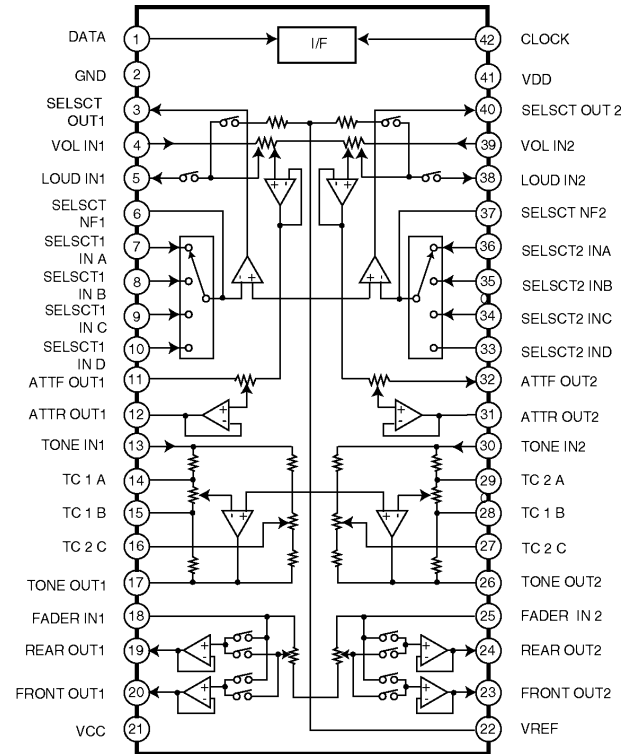
IC1 : YEAMCX1980QK



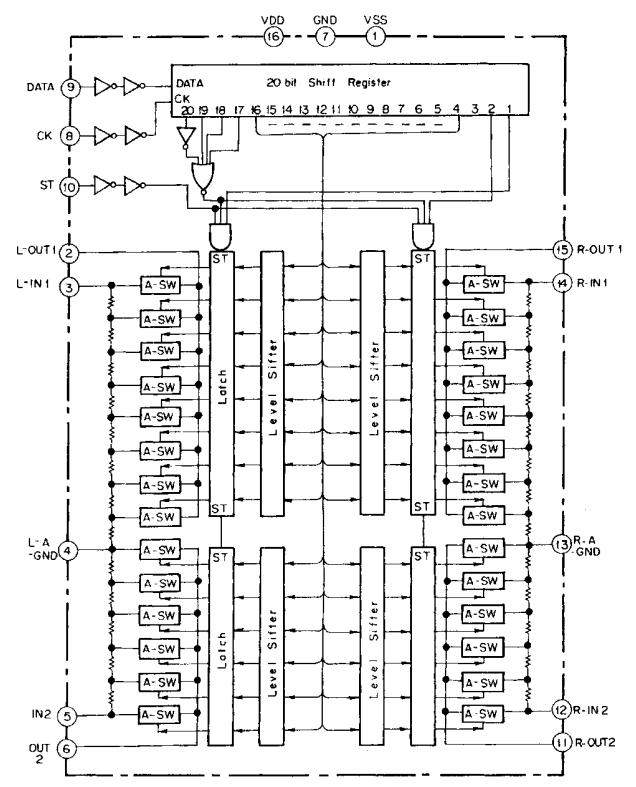
IC281 : AN7190NKLC



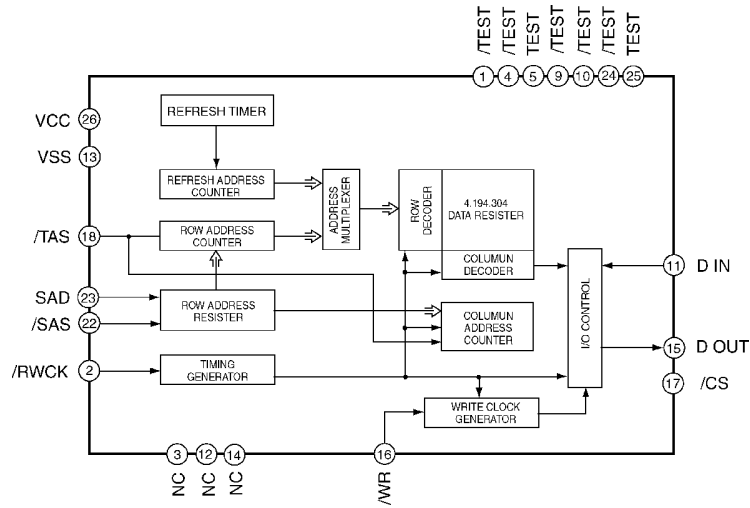
IC603 : AN8065SE1



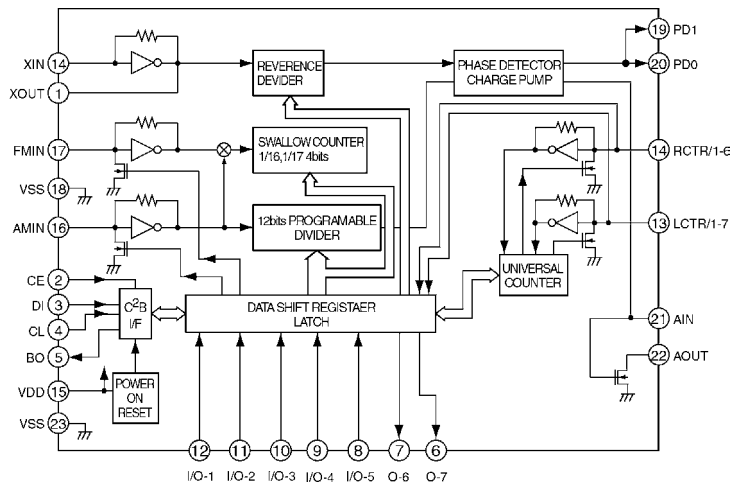
IC302 : YEAMM62419T1



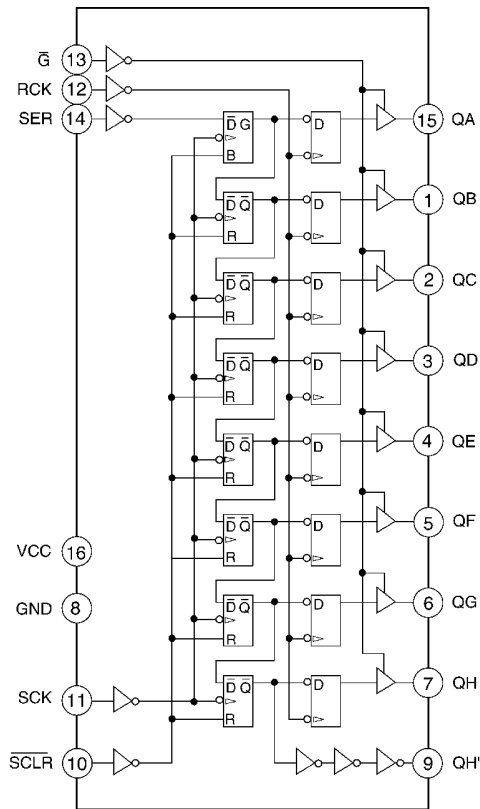
IC353 : C1BA0000198



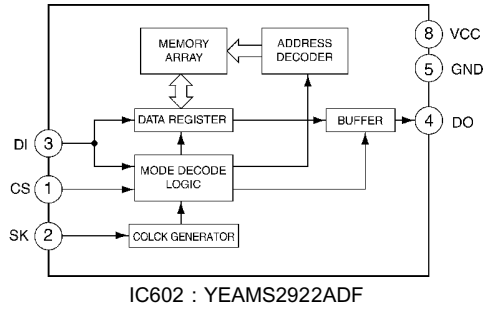
IC502 : YEAMS6684B



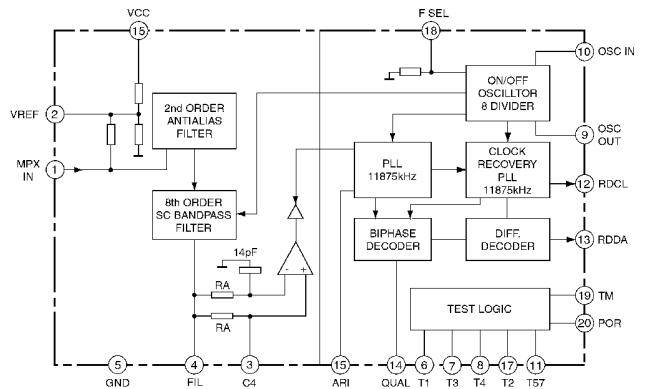
IC701 : YEAMLC72146T



IC503 : YEAM74HC595T



IC602 : YEAMS2922ADF



IC703 : YEAMDA7330BD

## 8 ALIGNMENT INSTRUCTIONS

### 8.1. Alignment Conditions

- Power Supply Voltage : DC13.2V
- Output Impedance : 4Ω
- Output Power : 0.5W
- Balance, Fader Control : center
- Bass, Treble Control : Center
- Dolby NR: OFF

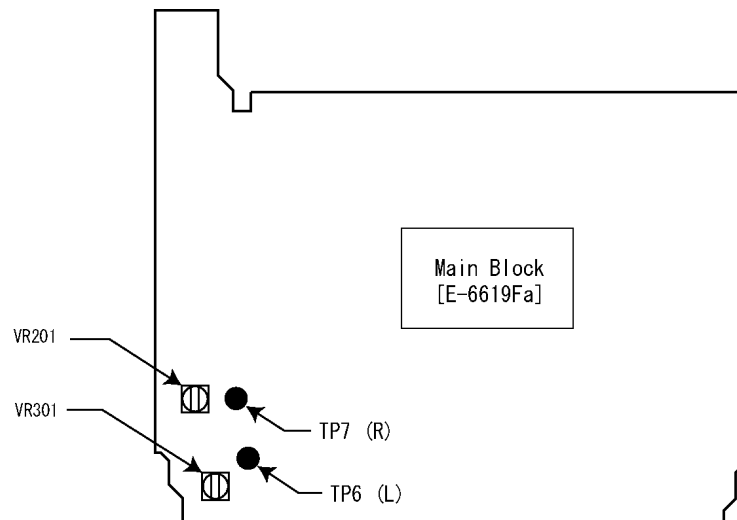
#### Note :

Do not align the FM/AM package block. When the package block is necessary, it will be supplied already aligned at the factory.

### 8.2. Dolby NR Alignment

Step	Alignment Item	Test Tape	VTVM Connection	Adjust	Remarks
(1)	DOLBY NR Rch	RFKZ0038	TP7	VR201	Adjust for 388mV $\pm$ 0.5dB
(2)	DOLBY NR Lch	RFKZ0038	TP6	VR301	Adjust for 388mV $\pm$ 0.5dB

## 9 ALIGNMENT POINTS



# 10 REPLACEMENT PARTS LIST

## Notes :

1. Be sure to make your orders of replacement parts according to this list.
2. Important safety notice: Components, identified by  $\Delta$  mark have special characteristics important for safety. When replacing any of these components, use only manufacturer's specified parts.
3. Location keys in the remarks column indicates the general location of the parts shown in the exploded drawing, as in a road map.
4. The marking (RTL) indicates that Retention Time is limited for this item. After the discontinuation of assembly in production, the item will continue to be available for a specific period of time. The retention period of availability is dependent on the type of assembly, and in accordance with the laws governing part and product retention. After the end of this period, the assembly will no longer be available.
5. "MCC" marks in remarks column are indicated supply parts of Matsushita Communication Industrial Corp. of America (MCC).

Ref. No.	Part No.	Part Name & Description	Remarks
[E6619F] Main Block			
IC's and TRANSISTORS			
IC1	YEAMCX1980QK	IC	
IC51	YEAMPC78L05T	IC	
IC52	YEAMPC78M08A	IC	
IC101	AN6564NST1	IC	
IC151	C0ABCB000032	IC	
IC203	YEAMM5218AFE	IC	
IC204	YEAMTC4W53FT	IC	
IC205	C0ABCB000032	IC	
IC251	YEAMPD4053E2	IC	
IC281	AN7190NKLC	IC	
IC302	YEAMM62419T1	IC	
IC335	C0ABCB000032	IC	
IC351	YEAMPD4053E2	IC	
IC352	YEAMM5218AFE	IC	
IC353	C1BA00000198	IC	
IC354	C0ABCB000032	IC	
IC501	YEAMS6789A	IC	
IC502	YEAMS6684B	IC	
IC503	YEAM74HC595T	IC	
IC601	C2BBGG000014	IC	
IC602	YEAMS2922ADF	IC	
IC603	AN8065SE1	IC	
IC604	C2ABDD000033	IC	
IC605	C0JBAA000046	IC	
IC606	YEAMC14584BE	IC	
IC607	YEAMPC78M08A	IC	
IC608	YEAMPC78N05H	IC	
IC701	YEAMLC72146T	IC	
IC703	YEAMDA7330BD	IC	
IC781	YEAMM5218AFE	IC	
PA101	YEP0PTA513B0	Electronic Tuner	
Q51	B1ADJC000003	Transistor	
Q52	YEANC114YKX	Transistor	
Q53	2SB1073TX	Transistor	
Q54	YEANC2412KTX	Transistor	
Q55	B1BBAC000007	Transistor	
Q101	B1GBCFNN0004	Transistor	
Q201	YEANC3661TA	Transistor	
Q202	YEANC3661TA	Transistor	
Q253	YEANC3661TA	Transistor	
Q254	YEANC3661TA	Transistor	

Ref. No.	Part No.	Part Name & Description	Remarks
Q301	YEANC3661TA	Transistor	
Q302	YEANC3661TA	Transistor	
Q350	B1GBCFNN0004	Transistor	
Q353	YEANC3661TA	Transistor	
Q354	YEANC3661TA	Transistor	
Q401	B1GBCFNN0004	Transistor	
Q403	B1GDCFJ0002	Transistor	
Q501	B1GBCFNN0002	Transistor	
Q502	B1GBCFNN0004	Transistor	
Q600	YEANC2412KTX	Transistor	
Q601	YEANC114YKX	Transistor	
Q602	2SB1073TX	Transistor	
Q603	B1ADJC000003	Transistor	
Q604	B1BBAC000007	Transistor	
Q605	2SD1328STTX	Transistor	
Q606	2SD1280TX	Transistor	
Q607	B1GBCFNN0004	Transistor	
Q608	B1BBAC000007	Transistor	
Q671	2SD1328STTX	Transistor	
Q681	YEANC2412KTX	Transistor	
Q682	B1ADJC000003	Transistor	
Q683	B1GBCFNN0004	Transistor	
Q688	B1GDCFJN0004	Transistor	
Q689	B1ABCF000042	Transistor	
Q691	B1GBCFNN0002	Transistor	
Q692	YEANC2412KTX	Transistor	
Q701	YEAN2SK536TB	Transistor	
Q702	2SB1073TX	Transistor	
Q703	YEANC114YKX	Transistor	
Q721	B1BBAC000007	Transistor	
Q722	2SD1328STTX	Transistor	
Q723	B1ADJC000003	Transistor	
Q724	YEANC114YKX	Transistor	
Q730	B1GDCFJN0004	Transistor	
Q773	B1GBHBEA0004	Transistor	
Q774	B1GBHBEA0004	Transistor	
Q775	B1ABCF000044	Transistor	
Q776	B1ABCF000044	Transistor	
Q777	B1GBCFNN0004	Transistor	
Q778	YEANFP1F3PT1	Transistor	
Q801	B1ABCF000044	Transistor	
Q901	YEANC2412KTX	Transistor	
Q902	YEANC2412KTX	Transistor	
Q903	B1ABCF000042	Transistor	
Q904	B1GBCFNN0002	Transistor	
Q905	B1GBCFNN0002	Transistor	
Q906	YEANC3661TA	Transistor	
DIODES			
D51	YEARDR10M2T2	Diode	
D52	YEARDR43M2T2	Diode	
D151	MA153TX	Diode	
D152	MA153TX	Diode	
D156	MA152WKTX	Diode	
D401	MA3X152K0L	Diode	
D601	MA3X152K0L	Diode	
D602	YEARDR56M3T1	Diode	
D603	MA3X152K0L	Diode	
D604	YEARDR56M2T1	Diode	
D605	YEARDR56M3T1	Diode	
D607	MA159TX	Diode	
D608	MA159TX	Diode	
D613	MA152WATX	Diode	
D615	MA152WATX	Diode	
D616	MA152WKTX	Diode	
D681	MA152WKTX	Diode	
D683	YEAD1SS355T1	Diode	
D697	MA152WATX	Diode	
D701	B0BC5R000005	Diode	
D702	MA3X152K0L	Diode	
D711	MA159TX	Diode	
D721	YEARDR82M2T2	Diode	



Ref. No.	Part No.	Part Name & Description	Remarks
C327	ECEA1CKA100I	Electrolytic, 10µF 16WV	
C328	YECUS1E104ZF	Ceramic, 0.1µF 25WV	
C329	ECEA1CKA100I	Electrolytic, 10µF 16WV	
C330	ECEA1HKA2R2I	Electrolytic, 2.2µF 50WV	
C331	ECEA1HKA2R2I	Electrolytic, 2.2µF 50WV	
C338	YECUS1C224ZF	Ceramic, 0.22µF 16WV	
C345	YECUS1C474KX	Ceramic, 0.47µF 16WV	
C346	ECEA1AKA220I	Electrolytic, 22µF 10WV	
C350	YECUS1H103KX	Ceramic, 0.01µF 50WV	
C352	YECUS1H103ZF	Ceramic, 0.01µF 50WV	
C353	ECEA1HKA2R2B	Electrolytic, 2.2µF 50WV	
C354	ECEA1HKA2R2I	Electrolytic, 2.2µF 50WV	
C355	ECEA1AKA470B	Electrolytic, 47µF 10WV	
C356	ECEA1AKA470I	Electrolytic, 47µF 10WV	
C358	YECUS1H101JM	Ceramic, 100PF 50WV	
C359	YECUS1H101JM	Ceramic, 100PF 50WV	
C360	YECUS1C124KX	Ceramic, 0.12µF 16WV	
C361	YECUS1C224ZF	Ceramic, 0.22µF 16WV	
C376	YECUS1H181JM	Ceramic, 180PF 50WV	
C381	YECUS1H471JM	Ceramic, 470PF 50WV	
C382	ECQV1H224JL2	Plastic Film, 0.22µF 50WV	
C383	ECQV1H224JL2	Plastic Film, 0.22µF 50WV	
C392	ECEA1HKA010I	Electrolytic, 1µF 50WV	
C393	ECEA1CKA100I	Electrolytic, 10µF 16WV	
C394	ECEA1CKA100I	Electrolytic, 10µF 16WV	
C397	YECUS1H222KX	Ceramic, 2200PF 50WV	
C398	YECUS1H222KX	Ceramic, 2200PF 50WV	
C401	YECUS1H101JM	Ceramic, 100PF 50WV	
C403	YECUS1H101JM	Ceramic, 100PF 50WV	
C404	YECUS1H101JM	Ceramic, 100PF 50WV	
C405	YECUS1H102KX	Ceramic, 1000PF 50WV	
C502	ECEA0JKA101I	Electrolytic, 100µF 6.3WV	
C503	YECUS1E104ZF	Ceramic, 0.1µF 25WV	
C504	YECUS1C104KX	Ceramic, 0.1µF 16WV	
C505	YECUS1H471JM	Ceramic, 470PF 50WV	
C506	YECUS1C224ZF	Ceramic, 0.22µF 16WV	
C507	ECEA1CKA100B	Electrolytic, 10µF 16WV	
C508	ECEA1CKA100B	Electrolytic, 10µF 16WV	
C509	YECUS1E104ZF	Ceramic, 0.1µF 25WV	
C510	YECUS1H471JM	Ceramic, 470PF 50WV	
C511	YECUS1E223KX	Ceramic, 0.022µF 25WV	
C512	YECUS1H103ZF	Ceramic, 0.01µF 50WV	
C514	YECUS1H103ZF	Ceramic, 0.01µF 50WV	
C600	YECUS1H103KX	Ceramic, 0.01µF 50WV	
C601	YECUS1H150JM	Ceramic, 15PF 50WV	
C602	YECUS1H150JM	Ceramic, 15PF 50WV	
C603	ECEA1CKA100I	Electrolytic, 10µF 16WV	
C604	YECUS1C104KX	Ceramic, 0.1µF 16WV	
C605	YECUS1H103KX	Ceramic, 0.01µF 50WV	
C606	ECEA0JKA221I	Electrolytic, 220µF 6.3WV	
C608	YECUS1C224ZF	Ceramic, 0.22µF 16WV	
C609	YECUS1H101JM	Ceramic, 100PF 50WV	
C610	YECUS1H101JM	Ceramic, 100PF 50WV	
C611	YECUS1H101JM	Ceramic, 100PF 50WV	
C613	YECUS1C104KX	Ceramic, 0.1µF 16WV	
C616	YECUS1H101JM	Ceramic, 100PF 50WV	
C617	YECUS1H103KX	Ceramic, 0.01µF 50WV	
C618	YECUS1C224ZF	Ceramic, 0.22µF 16WV	
C619	YECUS1C224ZF	Ceramic, 0.22µF 16WV	
C620	YECUS1H101JM	Ceramic, 100PF 50WV	
C624	YECUS1H101JM	Ceramic, 100PF 50WV	
C625	YECUS1H101JM	Ceramic, 100PF 50WV	
C626	YECUS1H101JM	Ceramic, 100PF 50WV	
C636	YECUS1H101JM	Ceramic, 100PF 50WV	
C637	YECUS1H101JM	Ceramic, 100PF 50WV	
C638	YECUS1H101JM	Ceramic, 100PF 50WV	
C647	YECUS1H101JM	Ceramic, 100PF 50WV	
C651	YECUS1H101JM	Ceramic, 100PF 50WV	
C652	YECUS1H101JM	Ceramic, 100PF 50WV	
C653	YECUS1H101JM	Ceramic, 100PF 50WV	
C654	YECUS1H101JM	Ceramic, 100PF 50WV	
C672	ECA1CKA221XI	Electrolytic, 220µF 16WV	
C688	ECEA1HKA010I	Electrolytic, 1µF 50WV	

Ref. No.	Part No.	Part Name & Description	Remarks
C689	YECUS1H103ZF	Ceramic, 0.01µF 50WV	
C694	YECUS1E104ZF	Ceramic, 0.1µF 25WV	
C695	ECEA1CKA100I	Electrolytic, 10µF 16WV	
C696	YECUS1E104ZF	Ceramic, 0.1µF 25WV	
C697	YECUS1E104ZF	Ceramic, 0.1µF 25WV	
C700	YECUS1H103ZF	Ceramic, 0.01µF 50WV	
C701	YECUS1H100DM	Ceramic, 10PF 50WV	
C702	YECUS1H100DM	Ceramic, 10PF 50WV	
C704	YECUS1H101JM	Ceramic, 100PF 50WV	
C705	YECUS1H101JM	Ceramic, 100PF 50WV	
C706	YECUS1H101JM	Ceramic, 100PF 50WV	
C707	YECUS1H101JM	Ceramic, 100PF 50WV	
C708	ECEA0JKA470I	Electrolytic, 47µF 6.3WV	
C709	YECUS1C334KX	Ceramic, 0.33µF 16WV	
C711	YECUS1H222KX	Ceramic, 2200PF 50WV	
C712	YECUS1E393KX	Ceramic, 0.039µF 25WV	
C713	YECUS1H103ZF	Ceramic, 0.01µF 50WV	
C714	YECUS1H220JM	Ceramic, 22PF 50WV	
C715	YECUS1H220JM	Ceramic, 22PF 50WV	
C716	ECEA1AKA470I	Electrolytic, 47µF 10WV	
C717	YECUS1C224ZF	Ceramic, 0.22µF 16WV	
C718	F1J1H121A034	Ceramic, 120PF 50WV	
C719	YECUS1H271JM	Ceramic, 270PF 50WV	
C720	ECEA1CKA100I	Electrolytic, 10µF 16WV	
C721	YECUS1H103KX	Ceramic, 0.01µF 50WV	
C722	YECUS1H103ZF	Ceramic, 0.01µF 50WV	
C723	YECUS1H101JM	Ceramic, 100PF 50WV	
C724	YECUS1H101JM	Ceramic, 100PF 50WV	
C725	YECUS1C224ZF	Ceramic, 0.22µF 16WV	
C727	ECEA1AKA470I	Electrolytic, 47µF 10WV	
C732	YECUS1C104KX	Ceramic, 0.1µF 16WV	
C734	ECEA1AKA101I	Electrolytic, 100µF 10WV	
C735	YECUS1H101JM	Ceramic, 100PF 50WV	
C736	YECUS1H101JM	Ceramic, 100PF 50WV	
C737	ECEA1CKA100I	Electrolytic, 10µF 16WV	
C738	ECEA1AKA220I	Electrolytic, 22µF 10WV	
C739	YECUS1C104KX	Ceramic, 0.1µF 16WV	
C740	YECUS1C104KX	Ceramic, 0.1µF 16WV	
C741	YECUS1C104KX	Ceramic, 0.1µF 16WV	
C742	YECUS1C104KX	Ceramic, 0.1µF 16WV	
C744	YECUS1H103ZF	Ceramic, 0.01µF 50WV	
C745	ECEA1CKA100I	Electrolytic, 10µF 16WV	
C747	ECEA1CKA101	Electrolytic, 100µF 16WV	
C748	YECUS1E223KX	Ceramic, 0.022µF 25WV	
C749	YECUS1C474KX	Ceramic, 0.47µF 16WV	
C751	YECUS1E104ZF	Ceramic, 0.1µF 25WV	
C752	YECUS1E104ZF	Ceramic, 0.1µF 25WV	
C753	ECEA1CKA100I	Electrolytic, 10µF 16WV	
C754	YECUS1E104Z	Electrolytic, 0.1µF 5.5WV	
C755	ECEA1CKA100I	Electrolytic, 10µF 16WV	
C756	ECEA1CKA100I	Electrolytic, 10µF 16WV	
C761	YECUS1H103KX	Ceramic, 0.01µF 50WV	
C771	ECEA1HKA2R2I	Electrolytic, 2.2µF 50WV	
C772	ECEA1HKA2R2I	Electrolytic, 2.2µF 50WV	
C773	F1K1C474A014	Ceramic, 0.47µF 16WV	
C774	F1K1C474A014	Ceramic, 0.47µF 16WV	
C775	F1K1C474A014	Ceramic, 0.47µF 16WV	
C776	F1K1C474A014	Ceramic, 0.47µF 16WV	
C781	ECA1CM102B	Electrolytic, 1000µF 16WV	
C782	YECUS1H103KX	Ceramic, 0.01µF 50WV	
C783	YECUS1H103KX	Ceramic, 0.01µF 50WV	
C784	ECA1CM102B	Electrolytic, 1000µF 16WV	
C785	YECUS1H103KX	Ceramic, 0.01µF 50WV	
C786	ECA1CM101I	Electrolytic, 100µF 16WV	
C787	YECUS1C474KX	Ceramic, 0.47µF 16WV	
C788	YECUS1H101JM	Ceramic, 100PF 50WV	
C789	YECUS1H101JM	Ceramic, 100PF 50WV	
C790	ECEA1CKA470B	Electrolytic, 47µF 16WV	
C791	YECUS1C224ZF	Ceramic, 0.22µF 16WV	
C792	YECUS1C224ZF	Ceramic, 0.22µF 16WV	
C797	ECA1CM101I	Electrolytic, 100µF 16WV	
C900	YECUS1H101JM	Ceramic, 100PF 50WV	
C901	YECUS1H300JM	Ceramic, 30PF 50WV	



Ref. No.	Part No.	Part Name & Description	Remarks
R330	ERJ6GEYJ472	Chip, 4.7kΩ 1/10W	
R331	ERJ6GEYJ472	Chip, 4.7kΩ 1/10W	
R332	ERJ6GEYJ473	Chip, 47kΩ 1/10W	
R333	ERJ6GEYJ473	Chip, 47kΩ 1/10W	
R338	ERJ6GEYJ333	Chip, 33kΩ 1/10W	
R341	ERJ6GEYJ472	Chip, 4.7kΩ 1/10W	
R342	ERJ6GEYJ473	Chip, 47kΩ 1/10W	
R343	ERJ6GEYJ122	Chip, 1.2kΩ 1/10W	
R345	ERJ6GEYJ473	Chip, 47kΩ 1/10W	
R350	ERJ6GEYJ753	Chip, 75kΩ 1/10W	
R351	ERJ6GEYJ103	Chip, 10kΩ 1/10W	
R353	ERJ6GEYJ102	Chip, 1kΩ 1/10W	
R354	ERJ6GEYJ752	Chip, 7.5kΩ 1/10W	
R355	ERJ6GEYJ4R7	Chip, 4.7Ω 1/10W	
R356	ERJ6GEYJ4R7	Chip, 4.7Ω 1/10W	
R357	ERJ6GEYJ471	Chip, 470Ω 1/10W	
R358	ERJ6GEYJ182	Chip, 1.8kΩ 1/10W	
R359	ERJ6GEYJ471	Chip, 470Ω 1/10W	
R360	ERJ6GEYJ182	Chip, 1.8kΩ 1/10W	
R363	ERJ6GEYJ154	Chip, 150kΩ 1/10W	
R364	ERJ6GEYJ154	Chip, 150kΩ 1/10W	
R370	ERJ6GEYJ103	Chip, 10kΩ 1/10W	
R371	ERJ6GEYJ103	Chip, 10kΩ 1/10W	
R372	ERJ6GEYJ222	Chip, 2.2kΩ 1/10W	
R373	ERJ6GEYJ222	Chip, 2.2kΩ 1/10W	
R374	ERJ6GEYJ823	Chip, 82kΩ 1/10W	
R375	ERJ6GEYJ823	Chip, 82kΩ 1/10W	
R376	ERJ6GEYJ103	Chip, 10kΩ 1/10W	
R377	ERJ6GEYJ103	Chip, 10kΩ 1/10W	
R378	ERJ6GEYJ183	Chip, 18kΩ 1/10W	
R381	ERJ6GEYJ472	Chip, 4.7kΩ 1/10W	
R382	ERJ8GEYJ2R2V	Chip, 2.2Ω 1/8W	
R383	ERJ8GEYJ2R2V	Chip, 2.2Ω 1/8W	
R394	ERJ6GEYJ101	Chip, 100Ω 1/10W	
R395	ERJ6GEYJ101	Chip, 100Ω 1/10W	
R398	ERJ6GEYJ122	Chip, 1.2kΩ 1/10W	
R399	ERJ6GEYJ122	Chip, 1.2kΩ 1/10W	
R401	ERJ6GEYJ473	Chip, 47kΩ 1/10W	
R402	ERJ6GEYJ103	Chip, 10kΩ 1/10W	
R404	ERJ6GEYJ103	Chip, 10kΩ 1/10W	
R405	ERJ6GEYJ472	Chip, 4.7kΩ 1/10W	
R406	ERJ6GEYJ473	Chip, 47kΩ 1/10W	
R500	ERJ6GEYJ223	Chip, 22kΩ 1/10W	
R501	ERJ6GEYJ104	Chip, 100kΩ 1/10W	
R502	ERJ6GEYJ224	Chip, 220kΩ 1/10W	
R503	ERJ6GEYJ274	Chip, 270kΩ 1/10W	
R504	ERJ6GEYJ224	Chip, 220kΩ 1/10W	
R505	ERJ6GEYJ563	Chip, 56kΩ 1/10W	
R506	ERJ6GEYJ104	Chip, 100kΩ 1/10W	
R601	ERJ6GEYJ563	Chip, 56kΩ 1/10W	
R602	ERJ6GEYJ183	Chip, 18kΩ 1/10W	
R611	ERJ6GEYJ104	Chip, 100kΩ 1/10W	
R612	ERX1SJ6R8V	Metal Film, 6.8Ω 1W	
R613	ERJ6GEYJ104	Chip, 100kΩ 1/10W	
R614	ERJ6GEYJ104	Chip, 100kΩ 1/10W	
R615	ERJ6GEYJ102	Chip, 1kΩ 1/10W	
R616	ERJ6GEYJ102	Chip, 1kΩ 1/10W	
R617	ERJ6GEYJ102	Chip, 1kΩ 1/10W	
R618	ERJ6GEYJ102	Chip, 1kΩ 1/10W	
R619	ERJ6GEYJ102	Chip, 1kΩ 1/10W	
R620	ERJ6GEYJ102	Chip, 1kΩ 1/10W	
R621	ERJ6GEYJ102	Chip, 1kΩ 1/10W	
R634	ERJ6GEYJ472	Chip, 4.7kΩ 1/10W	
R636	ERJ6GEYJ272	Chip, 2.7kΩ 1/10W	
R663	ERJ6GEYJ105	Chip, 1MΩ 1/10W	
R666	ERJ6GEYJ103	Chip, 10kΩ 1/10W	
R667	ERJ6GEYJ103	Chip, 10kΩ 1/10W	
R668	ERJ6GEYJ103	Chip, 10kΩ 1/10W	
R669	ERJ6GEYJ103	Chip, 10kΩ 1/10W	
R670	ERJ6GEYJ470	Chip, 47Ω 1/10W	
R671	ERJ6GEYJ102	Chip, 1kΩ 1/10W	
R673	ERJ6GEYJ102	Chip, 1kΩ 1/10W	
R674	ERJ6GEYJ102	Chip, 1kΩ 1/10W	

Ref. No.	Part No.	Part Name & Description	Remarks
R675	ERJ6GEYJ102	Chip, 1kΩ 1/10W	
R676	ERJ6GEYJ471	Chip, 470Ω 1/10W	
R677	ERJ6GEYJ681	Chip, 680Ω 1/10W	
R678	ERJ6GEYJ392	Chip, 3.9kΩ 1/10W	
R680	ERJ6GEYJ472	Chip, 4.7kΩ 1/10W	
R681	ERJ8GEYJ272V	Chip, 2.7kΩ 1/8W	
R682	ERJ6GEYJ473	Chip, 47kΩ 1/10W	
R683	ERJ6GEYJ333	Chip, 33kΩ 1/10W	
R684	ERJ6GEYJ224	Chip, 220kΩ 1/10W	
R685	ERJ6GEYJ562	Chip, 5.6kΩ 1/10W	
R686	ERJ6GEYJ273	Chip, 27kΩ 1/10W	
R687	ERJ6GEYJ332	Chip, 3.3kΩ 1/10W	
R688	ERJ6GEYJ222	Chip, 2.2kΩ 1/10W	
R689	ERJ6GEYJ103	Chip, 10kΩ 1/10W	
R690	ERJ6GEYJ104	Chip, 100kΩ 1/10W	
R691	ERJ6GEYJ103	Chip, 10kΩ 1/10W	
R695	ERJ6GEYJ102	Chip, 1kΩ 1/10W	
R696	ERJ6GEYJ102	Chip, 1kΩ 1/10W	
R697	ERJ6GEYJ102	Chip, 1kΩ 1/10W	
R698	ERJ6GEYJ103	Chip, 10kΩ 1/10W	
R699	ERJ6GEYJ102	Chip, 1kΩ 1/10W	
R700	ERJ6GEYJ103	Chip, 10kΩ 1/10W	
R701	ERJ6GEYJ222	Chip, 2.2kΩ 1/10W	
R702	ERJ6GEYJ0R00	Chip, 0Ω 1/10W	
R703	ERJ6GEYJ561	Chip, 560Ω 1/10W	
R704	ERJ6GEYJ392	Chip, 3.9kΩ 1/10W	
R705	ERJ6GEYJ100	Chip, 10Ω 1/10W	
R706	ERJ6GEYJ561	Chip, 560Ω 1/10W	
R707	ERJ6GEYJ101	Chip, 100Ω 1/10W	
R708	ERJ6GEYJ225V	Chip, 2.2MΩ 1/10W	
R709	ERJ14YJ221H	Chip, 220Ω 1/4W	
R710	ERJ6GEYJ104	Chip, 100kΩ 1/10W	
R712	ERJ6GEYJ102	Chip, 1kΩ 1/10W	
R713	ERJ6GEYJ102	Chip, 1kΩ 1/10W	
R714	ERJ12YJ681H	Chip, 680Ω 1/2W	
R715	ERJ6GEYJ474	Chip, 470kΩ 1/10W	
R718	ERJ6GEYJ272	Chip, 2.7kΩ 1/10W	
R719	ERJ6GEYJ272	Chip, 2.7kΩ 1/10W	
R720	ERJ6GEYJ102	Chip, 1kΩ 1/10W	
R721	ERJ8GEYJ102V	Chip, 1kΩ 1/8W	
R722	ERJ8GEYJ6R8V	Chip, 6.8Ω 1/8W	
R723	ERJ6GEYJ2R2	Chip, 2.2Ω 1/10W	
R724	ERJ6GEYJ151	Chip, 150Ω 1/10W	
R725	ERJ6GEYJ102	Chip, 1kΩ 1/10W	
R727	ERJ6GEYJ100	Chip, 10Ω 1/10W	
R728	ERJ6GEYJ104	Chip, 100kΩ 1/10W	
R729	ERJ6GEYJ102	Chip, 1kΩ 1/10W	
R730	ERJ6GEYJ102	Chip, 1kΩ 1/10W	
R731	ERJ6GEYJ473	Chip, 47kΩ 1/10W	
R732	ERJ6GEYJ472	Chip, 4.7kΩ 1/10W	
R733	ERJ6GEYJ473	Chip, 47kΩ 1/10W	
R734	ERJ6GEYJ472	Chip, 4.7kΩ 1/10W	
R735	ERJ6GEYJ102	Chip, 1kΩ 1/10W	
R736	ERJ6GEYJ103	Chip, 10kΩ 1/10W	
R739	ERJ6GEYJ472	Chip, 4.7kΩ 1/10W	
R740	ERJ6GEYJ473	Chip, 47kΩ 1/10W	
R741	ERJ6GEYJ104	Chip, 100kΩ 1/10W	
R742	ERJ6GEYJ104	Chip, 100kΩ 1/10W	
R743	ERJ6GEYJ392	Chip, 3.9kΩ 1/10W	
R745	ERJ6GEYJ153	Chip, 15kΩ 1/10W	
R746	ERJ6GEYJ102	Chip, 1kΩ 1/10W	
R747	ERJ6GEYJ332	Chip, 3.3kΩ 1/10W	
R748	ERJ6GEYJ473	Chip, 47kΩ 1/10W	
R749	ERJ6GEYJ153	Chip, 15kΩ 1/10W	
R750	ERJ6GEYJ392	Chip, 3.9kΩ 1/10W	
R751	ERJ6GEYJ103	Chip, 10kΩ 1/10W	
R752	ERJ12YJ330H	Chip, 33Ω 1/2W	
R753	ERJ14YJ102H	Chip, 1kΩ 1/4W	
R754	ERJ6GEYJ2R2	Chip, 2.2Ω 1/10W	
R755	ERJ8GEYJ102V	Chip, 1kΩ 1/8W	
R756	ERJ6GEYJ151	Chip, 150Ω 1/10W	
R757	ERJ8GEYJ6R8V	Chip, 6.8Ω 1/8W	
R758	ERJ6GEYJ123	Chip, 12kΩ 1/10W	

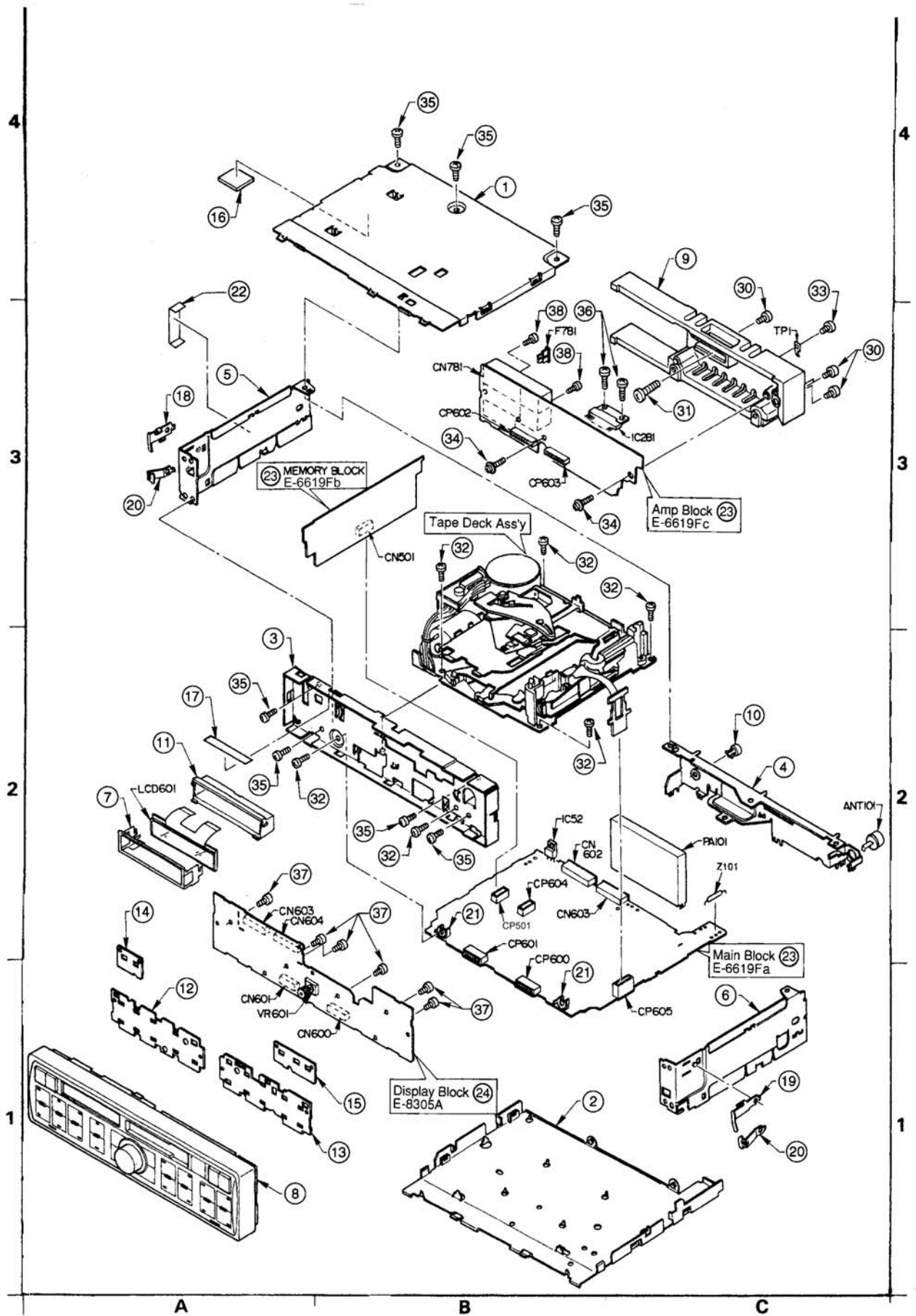




Ref. No.	Part No.	Part Name & Description	Remarks
<b>[E8305A] Display Block</b>			
<b>IC's and TRANSISTORS</b>			
IC601	YEAMH66720F2	IC	
IC602	YEAMBA823F	IC	
IC603	YEAMBA823F	IC	
Q671	YEANFP1F3PT1	Transistor	
Q672	YEANC2412KTX	Transistor	
Q675	YEANC2412KTX	Transistor	
Q676	YEANFP1F3PT1	Transistor	
Q677	YEANSFH320T	Transistor	
Q678	YEANC3661TA	Transistor	
<b>DIODES</b>			
D601-616	YEADLST676T	Diode	
D621-668	YEADLST676T	Diode	
<b>CAPACITORS</b>			
C601	YECUS1E104ZF	Ceramic, 0.1µF 25WV	
C602	YECUS1E104ZF	Ceramic, 0.1µF 25WV	
C662	YECUS1C474KX	Ceramic, 0.47µF 16WV	
C663	YECUS1C474KX	Ceramic, 0.47µF 16WV	
C666	YECUS1C105ZF	Ceramic, 1µF 16WV	
C671	YECUS1C334KX	Ceramic, 0.33µF 16WV	
C675	YECUS1C474KX	Ceramic, 0.47µF 16WV	
<b>RESISTORS</b>			
R602	ERJ6GEYJ682	Chip, 6.8kΩ 1/10W	
R605	ERJ6GEYJ682	Chip, 6.8kΩ 1/10W	
R608	ERJ6GEYJ682	Chip, 6.8kΩ 1/10W	
R611	ERJ6GEYJ682	Chip, 6.8kΩ 1/10W	
R614	ERJ6GEYJ682	Chip, 6.8kΩ 1/10W	
R617	ERJ6GEYJ682	Chip, 6.8kΩ 1/10W	
R620	ERJ6GEYJ682	Chip, 6.8kΩ 1/10W	
R623	ERJ6GEYJ682	Chip, 6.8kΩ 1/10W	
R631	ERJ6GEYJ102	Chip, 1kΩ 1/10W	
R632	ERJ6GEYJ102	Chip, 1kΩ 1/10W	
R633	ERJ6GEYJ102	Chip, 1kΩ 1/10W	
R634	ERJ6GEYJ102	Chip, 1kΩ 1/10W	
R635	ERJ6GEYJ102	Chip, 1kΩ 1/10W	
R636	ERJ6GEYJ102	Chip, 1kΩ 1/10W	
R637	ERJ6GEYJ102	Chip, 1kΩ 1/10W	
R638	ERJ6GEYJ102	Chip, 1kΩ 1/10W	
R639	ERJ6GEYJ102	Chip, 1kΩ 1/10W	
R640	ERJ6GEYJ102	Chip, 1kΩ 1/10W	
R641	ERJ8GEYJ101V	Chip, 100Ω 1/8W	
R642	ERJ8GEYJ101V	Chip, 100Ω 1/8W	
R643	ERJ6GEYJ681	Chip, 680Ω 1/10W	
R644	ERJ6GEYJ681	Chip, 680Ω 1/10W	
R645	ERJ6GEYJ681	Chip, 680Ω 1/10W	
R646	ERJ6GEYJ681	Chip, 680Ω 1/10W	
R647	ERJ6GEYJ681	Chip, 680Ω 1/10W	
R648	ERJ6GEYJ681	Chip, 680Ω 1/10W	
R653	ERJ6GEYJ681	Chip, 680Ω 1/10W	
R654	ERJ6GEYJ681	Chip, 680Ω 1/10W	
R655	ERJ6GEYJ681	Chip, 680Ω 1/10W	
R656	ERJ6GEYJ681	Chip, 680Ω 1/10W	
R657	ERJ6GEYJ681	Chip, 680Ω 1/10W	
R658	ERJ6GEYJ681	Chip, 680Ω 1/10W	
R661	ERJ6GEYJ472	Chip, 4.7kΩ 1/10W	
R662	ERJ6GEYJ472	Chip, 4.7kΩ 1/10W	
R663	ERJ6GEYJ472	Chip, 4.7kΩ 1/10W	
R664	ERJ6GEYJ472	Chip, 4.7kΩ 1/10W	
R665	ERJ6GEYJ104	Chip, 100kΩ 1/10W	
R666	ERJ6GEYJ104	Chip, 100kΩ 1/10W	
R671	ERJ6GEYJ104	Chip, 100kΩ 1/10W	
R672	ERJ6GEYJ103	Chip, 10kΩ 1/10W	
R673	ERJ6GEYJ105	Chip, 1MΩ 1/10W	

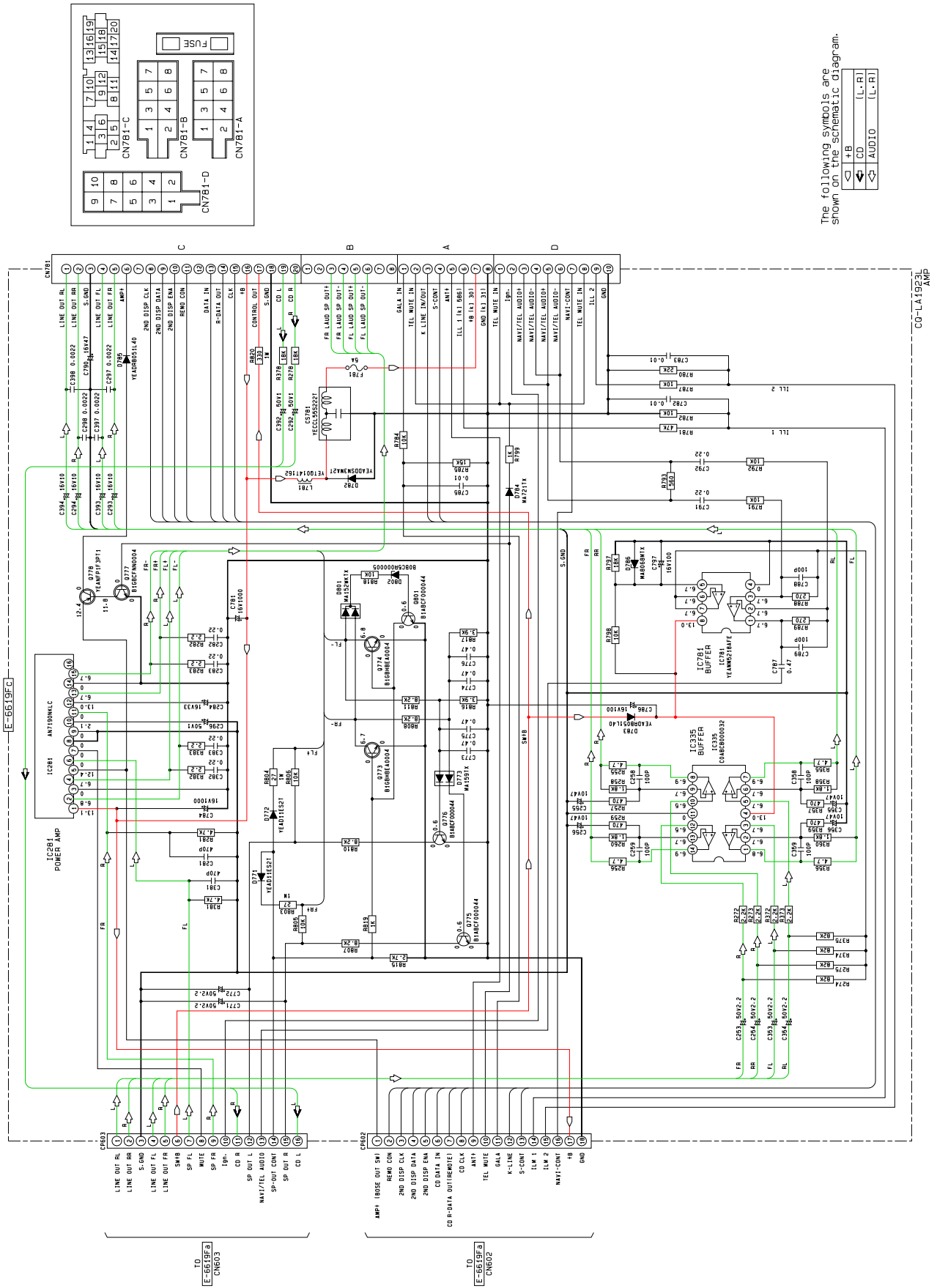
Ref. No.	Part No.	Part Name & Description	Remarks
<b>CONNECTORS</b>			
CN600	YEAEKCF10XE	Connector, 10P	
CN601	YEAEKCF10XE	Connector, 10P	
CN603	YEA5243530	Connector, 30P	
CN604	YEA5243530	Connector, 30P	
<b>LCD</b>			
LCD601	YEXDCM1195	LCD	
<b>VARIABLE RESISTOR</b>			
VR601	EVQWEA00115B	Variable Resistor	
<b>Mechanical Parts</b>			
<b>MISCELLANEOUS</b>			
ANT101	YEA10087	Antenna Receptacle	
F781	K5Y502200001	Fuse, 5A	
TP1	YEAT03339	Terminal	
1	YEFA031527	Upper Cover	
2	YEFA05673	Bottom Cover	
3	YEFA07403	Front Plate	
4	YEFA08452	Rear Plate	
5	YEFA09555	Side Plate (L)	
6	YEFA09556AK	Side Plate (R)	
7	YEFA131307	Cover, LCD	
8	YGFC026725	Escucheon Ass'y	
9	YEPF01882B	Heat Sink	
10	YEFJ05030	Color Rivet	
11	YEFK06759	Holder, LCD	
12	YEFR07091A	Rubber Contact	
13	YEFR07092A	Rubber Contact	
14	YEFR07093	Rubber Contact	
15	YEFR07094	Rubber Contact	
16	YEPS011440	Pad	
17	YEFV011803	Insulator	
18	YEFX0052186	Spring	
19	YEFX0052187	Spring	
20	YEFX0052188	Spring	
21	YEFX0213797	Bracket, GND	
22	YEFM03942	Sticker	
23	YEP0PT6619Z9	PCB w/Component	RTL
24	YEP0PT8305Z9	PCB w/Component	RTL
30	XTB3+10FFX	Screw, M3x10mm	
31	XSN5+16FX	Screw, M5x16mm	
32	XSB26+6FX	Screw, M2.6x6mm	
33	XTB3+8JFX	Tapping Screw, M3x8mm	
34	YEJT03047	Tapping Screw,	
35	XTB3+6FFX	Tapping Screw, M3x6mm	
36	XTB3+6JFX	Tapping Screw, M3x6mm	
37	XTB2+6GFX	Tapping Screw, M2x6mm	
38	XYN26+C10FX	Screw, M2.6x10mm	

# 11 EXPLODED VIEW (Unit)



# 13 SCHEMATIC DIAGRAM -1

## 13.1. AMP Block







# 14.2. Display Block

